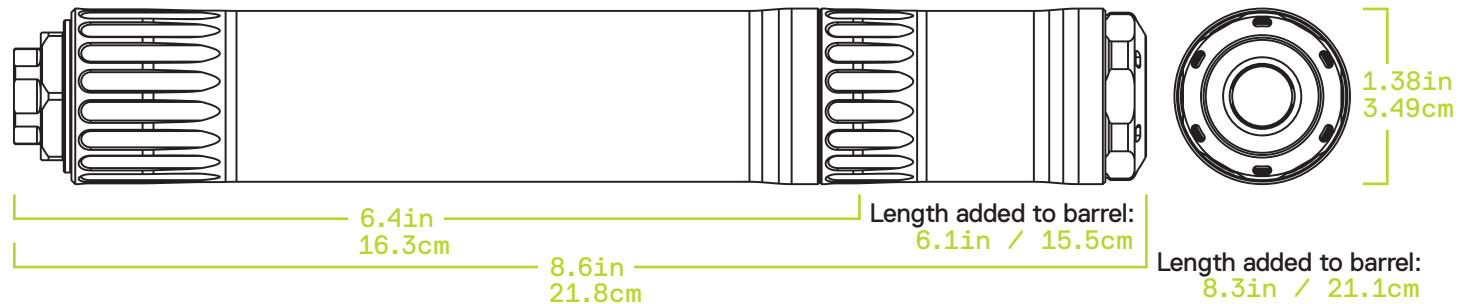


RAD 45

PISTOL

HUXWRX
SAFETY CO.

LIGHTWEIGHT AND MODULAR



PRODUCT SPECIFICATIONS

Weight	Long Config: 10.3oz / 292g Short Config: 7.6oz / 215g
Caliber	9mm, 10mm, .45, .45-70, 22 LR, 17 HMR, 5.7, 357 & 44 Magnum, 300 BO Subsonic, 350 Legend
Materials	17-4 Heat Treated Stainless Steel Grade 5 Titanium 7075-T6 Aluminum
Coating	C-Series Cerakote™ Matte Black

Technology Readiness	TR Level 9 Fully developed, in production.
Mounts	Ships with .578x28 booster assembly, 3-lug and direct thread adapters available.
Barrel Length	8in minimum for 300 BO Subsonic, 16in minimum for 350 Legend, 16in minimum for .45-70
Durability	Full-auto rated for 300 BO Subsonic.
Maintenance	Detailed cleaning should be performed every 1,000 rounds.

WARRANTY INFORMATION

HUXWRX provides a limited lifetime warranty against all manufacturing defects on all products manufactured by HUXWRX Safety Co. and OSS Suppressors. For more information, visit www.huxwrx.com/warranty.