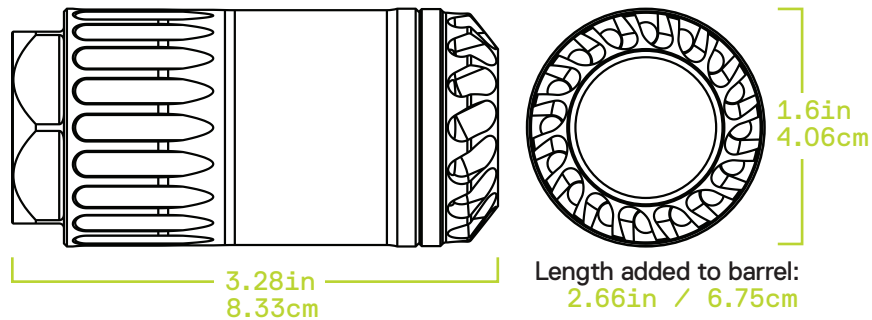


THREAD PROTECTION AND BLAST DEFLECTION



PRODUCT SPECIFICATIONS



Weight	5.9oz / 167g
Caliber	Up to .338
Materials	17-4 Heat Treated Stainless Steel
Coating	C-Series Cerakote™ Matte Black (Flat Dark Earth and Olive Drab Green available)

Technology Readiness	TR Level 9 Fully developed, in production.
Mounts	Compatible with all HX-QD Muzzle Brakes and Flash Hiders (up to .338).
Barrel Length	No restrictions.
Durability	Exceeds 6 cycles of the SOCOM Reliability Stress Test. (1 cycle=8x30 round magazines)
Maintenance	Occasional cleaning with attention to threads can help to maintain product performance.

WARRANTY INFORMATION

HUXWRX provides a limited lifetime warranty against all manufacturing defects on all products manufactured by HUXWRX Safety Co. and OSS Suppressors. For more information, visit www.huxwrx.com/warranty.