

KAIBOSH

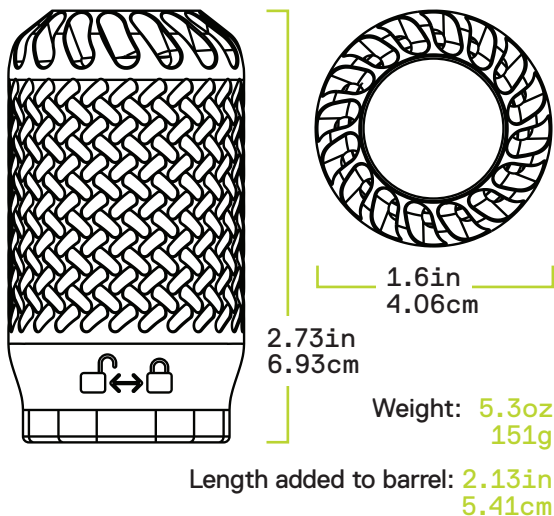
BLAST DEFLECTOR

v0.7.03.24

Caliber	Up to .338
Materials	17-4 Heat Treated Stainless Steel
Coating	PECV DLC Coating
Technology Readiness	TR Level 9; Fully developed, in production.
Mounts	Compatible with all HX-QD Muzzle Brakes and Flash Hiders (up to .338).
Barrel Length	No restrictions.
Durability	For semi-automatic use only.
Maintenance	Occasional cleaning with attention to threads can help to maintain product performance.



FORGED IN TRADITION, ENGINEERED FOR INNOVATION



The Kaibosh is not for everyone. It's for those who, like John Galt, refuse to compromise. It's for the makers, the builders, the pioneers who carve their own path. This is the perfect fusion of art and function. The Kaibosh was so effective, it was initially deemed a suppressor by the ATF. We opened it up to meet their criteria for blast deflection and couldn't be happier with the result. This product might be the most intricate example of additive manufacturing within the firearms market today. This limited-edition release won't last long—claim yours before it's too late.

HUXWRX Safety Co. unveils the next chapter in American excellence—the Kaibosh, a limited-edition blast deflector designed for those craving an exceptional shooting experience. Built with advanced engineering, it efficiently diverts concussive blasts away from the operator and bystanders with a rugged aesthetic that commands attention. A true collector's piece—the Kaibosh expands the possibilities of additive manufacturing, featuring intricate 3D-printed 17-4 stainless steel construction and next-generation nano coating. This blast deflector is compatible with all HUXWRX QD mounts and calibers up to 7.62, for semi-automatic use only, and does not obscure weapon flash.

WARRANTY INFORMATION

All Kaibosh Blast Deflectors include a 1-year warranty. For more information, visit www.huxwrx.com/warranty.

 **HUXWRX**
SAFETY CO.

HUXWRX.COM