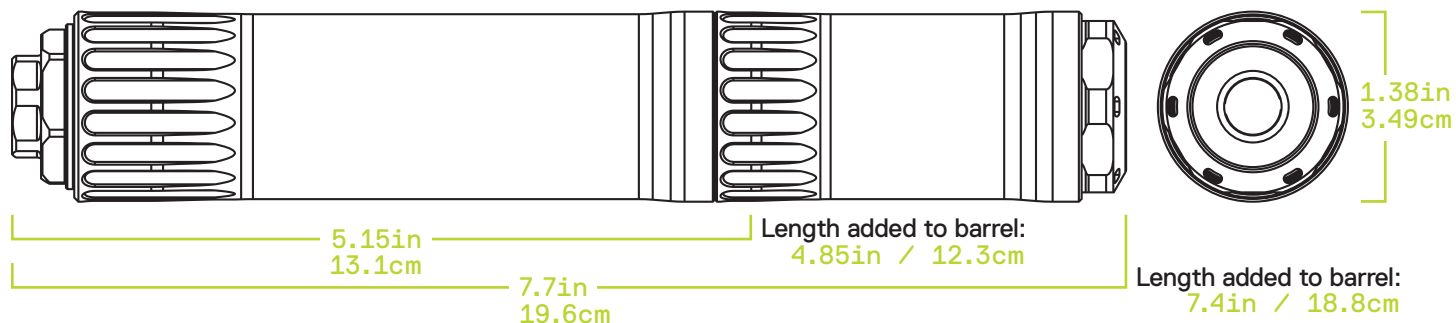


# RAD 9

PISTOL

**HUXWRX**  
SAFETY CO.

## SUPERIOR PISTOL PERFORMANCE



### PRODUCT SPECIFICATIONS

<b>Weight</b>	Long Config: 9.1oz / 258g Short Config: 5.9oz / 167g
<b>Caliber</b>	9mm, 22 LR, 17 HMR, 5.7, 300 BO Subsonic, 350 Legend
<b>Materials</b>	17-4 Heat Treated Stainless Steel Grade 5 Titanium 7075-T6 Aluminum
<b>Coating</b>	C-Series Cerakote™ Matte Black

<b>Technology Readiness</b>	TR Level 9 Fully developed, in production.
<b>Mounts</b>	Ships with 1/2x28 booster assembly, 3-lug and direct thread adapters available.
<b>Barrel Length</b>	8in minimum for 300 BO Subsonic, 16in minimum for 350 Legend
<b>Durability</b>	Full-auto rated for 300 BO Subsonic.
<b>Maintenance</b>	Detailed cleaning should be performed every 1,000 rounds.

### WARRANTY INFORMATION

HUXWRX provides a limited lifetime warranty against all manufacturing defects on all products manufactured by HUXWRX Safety Co. and OSS Suppressors. For more information, visit [www.huxwrx.com/warranty](http://www.huxwrx.com/warranty).